

LOAD CELL PRODUCT LINE 2024



CONTENTS

<p>SQ SHEAR/ BENDING BEAM</p>		<p>Pg 3-6</p>
<p>UNIV. TENSION & COMPRES- SION LOW PROFILE</p>		<p>Pg 7-10</p>
<p>UNIV. TENSION & COMPRESSION S-TYPE</p>		<p>Pg 11-12</p>
<p>TENSION ONLY INLINE TYPE</p>		<p>Pg 13-14</p>
<p>COMPRESSION ONLY COLUMN TYPE</p>		<p>Pg 15-16</p>
<p>COMPRESSION ONLY LOAD WASHER</p>		<p>Pg 17</p>
<p>COMPRESSION ONLY BUTTON TYPE</p>		<p>Pg 18-21</p>
<p>UNIV. TENSION & COMPRESSION SURFACE/ STUD TYPE</p>		<p>Pg 22-23</p>
<p>SHEAR—LOAD PIN</p>		<p>Pg 24</p>
<p>SIGNAL CONVERSION & DISPLAYS/ INDICATORS</p>		<p>Pg 25-27</p>

SBSS

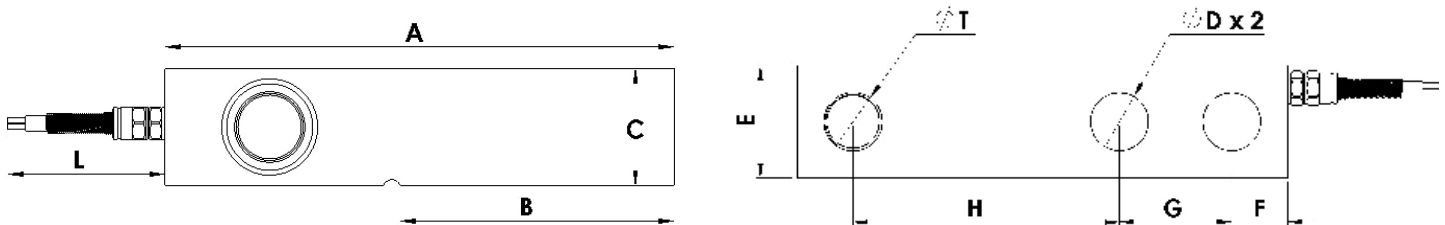
SQUARE BEAM SHEAR TYPE LOAD CELL 500 LB—20,000 LBF



The single-ended square, shear-beam load is a versatile choice for many low to medium different applications, conveyors, tanks, scales, etc. Well suited for outdoor use with the IP67 ingress protection rating. It is also compact and low profile, well suited for applications where space is at a premium.

The working principle is very simple—with two mounting points to secure the load cell solidly, and a single tapped hole—where the force/ load is applied, creating a shear force measurement.

Several output options and connector types are available—if you do not see your choice listed, please enquire as it is very likely CMI can accommodate your needs.



DIMENSIONS—INCHES											
PART NO.	CAPACITY	A	B	C	D	E	F	G	H	T	L
SBSS-500-3-1-SS	500	5.12"	1.87"	1.25"	0.53"	1.25"	0.62"	1.00"	3.00"	1/2"-20	120"
SBSS-1K-3-1-SS	1,000	5.12"	1.87"	1.25"	0.53"	1.25"	0.62"	1.00"	3.00"	1/2"-20	120"
SBSS-2K-3-1-SS	2,000	5.12"	1.87"	1.25"	0.53"	1.25"	0.62"	1.00"	3.00"	1/2"-20	120"
SBSS-2.5K-3-1-SS	2,500	5.12"	1.87"	1.25"	0.53"	1.25"	0.62"	1.00"	3.00"	1/2"-20	120"
SBSS-3K-3-1-SS	3,000	5.12"	1.87"	1.25"	0.53"	1.25"	0.62"	1.00"	3.00"	1/2"-20	120"
SBSS-4K3-1-SS	4,000	5.12"	1.87"	1.25"	0.53"	1.25"	0.62"	1.00"	3.00"	1/2"-20	120"
SBSS-5K-3-1-SS	5,000	6.75"	2.64"	1.50"	0.78"	1.50"	0.75"	1.50"	3.75"	3/4"-16	200"
SBSS-10K-3-1-SS	10,000	6.75"	2.64"	1.50"	0.78"	1.50"	0.75"	1.50"	3.75"	3/4"-16	200"
SBSS-15K-3-1-SS	15,000	8.75"	3.52"	2.00"	1.03"	2.00"	1.00"	2.00"	4.75"	1"-14	240"
SBSS-20K-3-1-SS	20,000	8.75"	3.52"	2.00"	1.03"	2.00"	1.00"	2.00"	4.75"	1"-14	240"

SBSS

SQUARE BEAM SHEAR TYPE LOAD CELL 500 LB—20,000 LBF



PERFORMANCE SPECIFICATIONS

OUTPUT (F.S.O.)	3.00 mV/V \pm 0.05%
SAFE OVERLOAD	150%
ULTIMATE OVERLOAD	300%
SUPPLY VOLTAGE	3.3—15V DC
NON-LINEARITY	0.02% F.S.
HYSTERESIS	0.02% F.S.
NON-REPEATABILITY	0.01% F.S.
ZERO BALANCE	\pm 1.0% F.S.
COMPENSATED TEMPERATURE RANGE	-10—+70° C
OPERATING TEMP RANGE	-50 °C—+80 °C
PROTECTION CLASS	IP67
INPUT RESISTANCE	400 \pm 20 Ω
OUTPUT RESISTANCE	351 \pm 2 Ω
EXCITATION +	RED
EXCITATION -	BLACK
SIGNAL +	GREEN
SIGNAL -	WHITE



OPTIONS

PART CODE ADDER	DESCRIPTION
-T (w/ TEDS)	TEDS CALIBRATION W/ DB9 CONNECTOR
-MA (w/ 4-20 Ma)	4-20 mA ANALOG OUTPUT (2 WIRE LOOP)
-5V (w/ 0-5V)	0-5V DC ANALOG OUTPUT
-232U	RS232 ASCII SERIAL COMMUNICATION OPTION (USB)
-232D	RS232 ASCII SERIAL COMMUNICATION OPTION (DB9)
-485	RS485 MODBUS COMMUNICATION OPTION (RJ45)
-BT	ADD BLUETOOTH OUTPUT (USE WITH FORCEAPP)

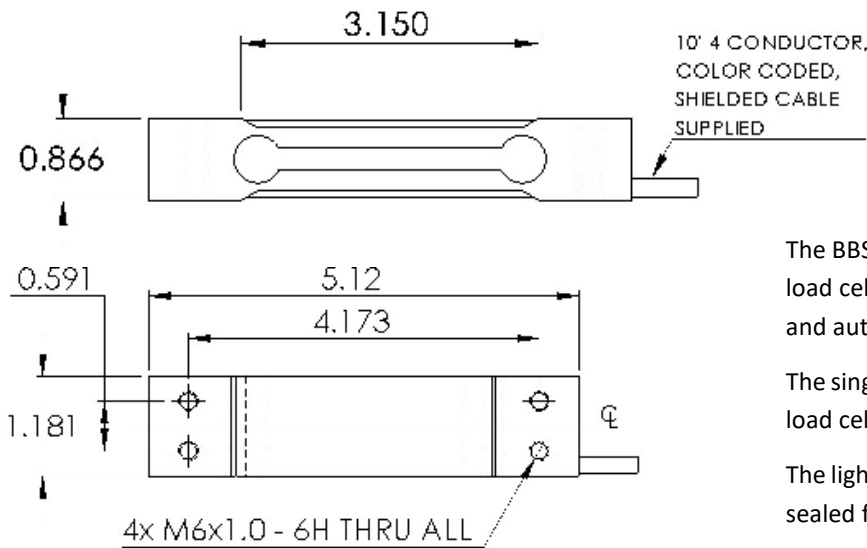


BLUETOOTH COMMS AVAILABLE—
FOR USE WITH CMI'S FORCEAPP FOR
ANDROID & iOS

BBSE

SQUARE BENDING BEAM TYPE LOAD CELL

6 Kgf – 35 Kgf



The BBSE low capacity series of single-point bending beam load cells are found in scales and other industrial weighing and automation systems.

The single point design eliminates the need for multiple load cells in many applications.

The lightweight, aluminum load cells are environmentally sealed for use in wet environments.

The BBSE is an economical and reliable choice for a wide variety of industries/ applications.

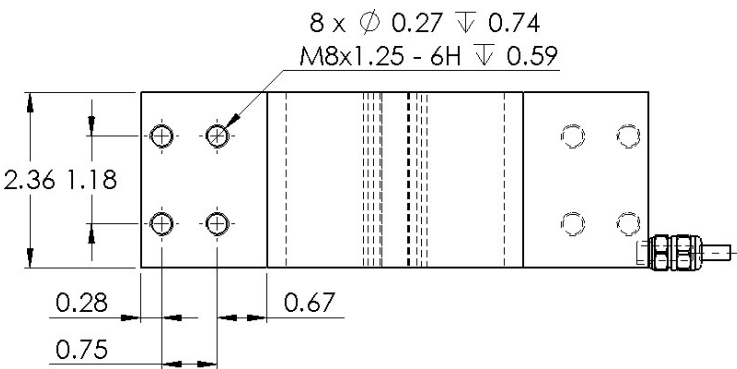
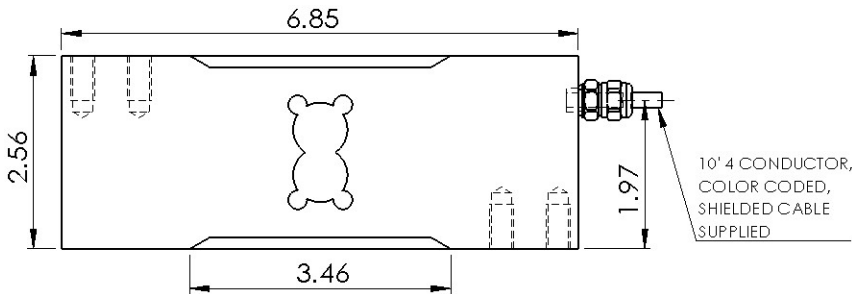
PERFORMANCE SPECIFICATIONS

OUTPUT (F.S.O.)	2.00 mV/V \pm 0.05%
SAFE OVERLOAD	150%
ULTIMATE OVERLOAD	200%
SUPPLY VOLTAGE	10V DC (20V MAX.)
NON-LINEARITY	0.02% F.S.
HYSTERESIS	0.02% F.S.
NON-REPEATABILITY	0.02% F.S.
ZERO BALANCE	\pm 1.00% F.S.
COMPENSATED TEMPERATURE RANGE	-10—+40° C
OPERATING TEMP RANGE	-50 °C—+60 °C
PROTECTION CLASS	IP66
INPUT RESISTANCE	400 \pm 20 Ω
OUTPUT RESISTANCE	351 \pm 2 Ω
EXCITATION +	RED
EXCITATION -	BLACK
SIGNAL +	GREEN
SIGNAL -	WHITE

PART NO.	CAPACITY (Kg)
BBSE-6KG-2-4-AL	6
BBSE-10KG-2-4-AL	10
BBSE-15KG-2-4-AL	15
BBSE-20KG-2-4-AL	20
BBSE-25KG-2-4-AL	25
BBSE-30KG-2-4-AL	30
BBSE-35KG-24-AL	35

BBSM

SQUARE BENDING BEAM TYPE LOAD CELL 65 Kgf — 500 Kgf



The BBSM medium capacity series of single-point bending beam load cells are found in scales and other industrial weighing and automation systems.

The single point design eliminates the need for multiple load cells in many applications.

The lightweight, aluminum load cells are environmentally sealed for use in wet environments.

The BBSM is an economical and reliable choice for a wide variety of industries/ applications.

PERFORMANCE SPECIFICATIONS

OUTPUT (F.S.O.)	1.60 mV/V ± 0.05%
SAFE OVERLOAD	150%
ULTIMATE OVERLOAD	200%
SUPPLY VOLTAGE	10V DC (20V MAX.)
NON-LINEARITY	0.02% F.S.
HYSTERESIS	0.02% F.S.
NON-REPEATABILITY	0.02% F.S.
ZERO BALANCE	± 5.0% F.S.
COMPENSATED TEMPERATURE RANGE	-10—+40° C
OPERATING TEMP RANGE	-50 °C—+60 °C
PROTECTION CLASS	IP66
INPUT RESISTANCE	400 ± 30 Ω
OUTPUT RESISTANCE	350 ± 3 Ω
EXCITATION +	RED
EXCITATION -	BLACK
SIGNAL +	GREEN
SIGNAL -	WHITE

PART NO.	CAPACITY (Kg)
BBSM-65KG-16-4-AL	65
BBSE-100KG-16-4-AL	100
BBSE-150KG-16-4-AL	150
BBSE-200KG-16-4-AL	200
BBSE-300KG-16-4-AL	300
BBSE-500KG-16-4-AL	500

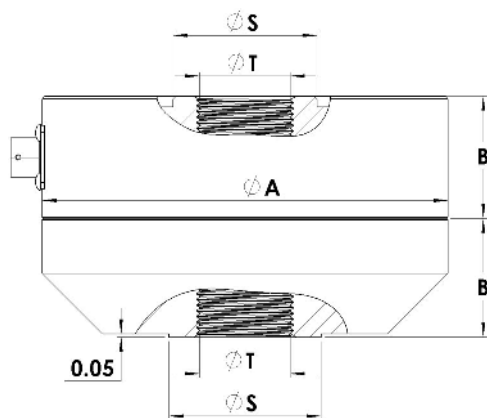
SPLH

LOW PROFILE TENSION/ COMPRESSION LOAD CELL 100 — 50,000 lbf

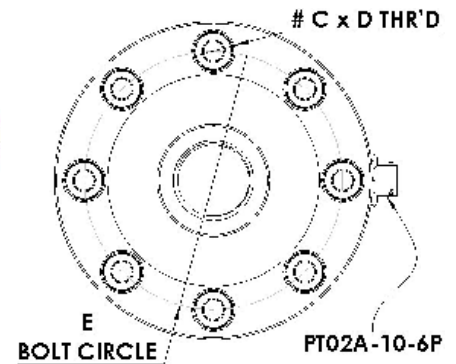


This low profile, durable and accurate load cell is one of our most popular. This design reduces the effects of eccentric loading and other extraneous forces. The SPLH is the high output version of the low profile (or spoke type) load cell, with an output of 3 mV/V at F.S.O. (full scale output).

Available in capacities ranging from 100 lbf to 50,000 lbf, calibrated in compression as standard, with tension as an available option. Load buttons are available for compression, and bases for tension applications. These are a rugged and durable option for all applications, with IP67 ingress protection rating.



SPLH w/OPTIONAL TENSION BASE



DIMENSIONS—INCHES								
PART NO.	CAPACITY	A	B	C	D	E	S	T
SPLH-100-3-A6-SS	100	3.00"	1.00"	6	1/4-20 UNF	2.25"	0.63"	3/8-24 UNF
SPLH-250-3-A6-SS	250	3.00"	1.00"	6	1/4-20 UNF	2.25"	0.63"	3/8-24 UNF
SPLH-500-3-A6-SS	500	3.00"	1.00"	6	1/4-20 UNF	2.25"	0.63"	3/8-24 UNF
SPLH-1K-3-A6-SS	1,000	3.00"	1.00"	6	1/4-20 UNF	2.25"	0.63"	3/8-24 UNF
SPLH-2K-3-A6-SS	2,000	3.50"	1.00"	6	5/16-24 UNF	2.63"	0.78"	1/2-20 UNF
SPLH-3K-3-A6-SS	3,000	3.50"	1.00"	6	5/16-24 UNF	2.63"	0.78"	1/2-20 UNF
SPLH-4K-3-A6-SS	4,000	3.50"	1.00"	6	5/16-24 UNF	2.63"	0.78"	1/2-20 UNF
SPLH-5K-3-A6-SS	5,000	3.50"	1.00"	6	5/16-24 UNF	2.63"	0.78"	1/2-20 UNF
SPLH-7.5K-3-A6-SS	7,500	5.50"	1.80"	8	3/8-24 UNF	4.50"	1.45"	1-14 UNS
SPLH-10K-3-A6-SS	10,000	5.50"	1.80"	8	3/8-24 UNF	4.50"	1.45"	1-14 UNS
SPLH-15K-3-A6-SS	15,000	5.50"	1.80"	8	3/8-24 UNF	4.50"	1.45"	1-14 UNS
SPLH-20K-3-A6-SS	20,000	6.00"	1.80"	8	1/2-20 UNF	4.88"	2.13"	1-1/2-12 UNF
SPLH-30K-3-A6-SS	30,000	6.00"	1.80"	8	1/2-20 UNF	4.88"	2.13"	1-1/2-12 UNF
SPLH-50K-3-A6-SS	50,000	6.00"	1.80"	8	1/2-20 UNF	4.88"	2.13"	1-1/2-12 UNF

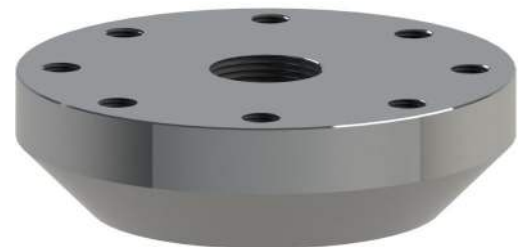
SPLH

LOW PROFILE TENSION/ COMPRESSION LOAD CELL 100 — 50,000 lbf



PERFORMANCE SPECIFICATIONS

OUTPUT (F.S.O.)	3.00 mV/V
SAFE OVERLOAD	150%
ULTIMATE OVERLOAD	200%
SUPPLY VOLTAGE	5– 18V DC
NON-LINEARITY	0.1% F.S.
HYSTERESIS	0.1% F.S.
NON-REPEATABILITY	0.05% F.S.
ZERO BALANCE	± 1.0% F.S.
COMPENSATED TEMPERATURE RANGE	-20—+70° C
OPERATING TEMP RANGE	-40 °C—+80 °C
PROTECTION CLASS	IP67
INPUT RESISTANCE	775 ± 15 Ω
OUTPUT RESISTANCE	702 ± 2 Ω
EXCITATION +	PIN A
EXCITATION -	PIN D
SIGNAL +	PIN B
SIGNAL -	PIN C



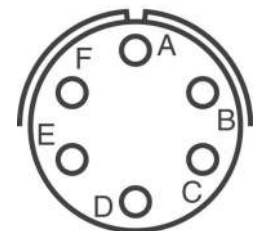
OPTIONAL TENSION BASE



BLUETOOTH COMMS AVAILABLE—
FOR USE WITH CMI's FORCEAPP FOR
ANDROID & iOS



OPTIONAL LOAD BUTTON



PT02A-10-6P PIN OUT

OPTIONS

PART CODE ADDER	DESCRIPTION
-T (w/ TEDS)	TEDS CALIBRATION W/ DB9 CONNECTOR
-MA (w/ 4-20 Ma)	4-20 mA ANALOG OUTPUT (2 WIRE LOOP)
-5V (w/ 0-5V)	0-5V DC ANALOG OUTPUT
-232U	RS232 ASCII SERIAL COMMUNICATION OPTION (USB)
-232D	RS232 ASCII SERIAL COMMUNICATION OPTION (DB9)
-485	RS485 MODBUS COMMUNICATION OPTION (RJ45)
-BT	ADD BLUETOOTH OUTPUT (USE WITH FORCEAPP)

SPLP

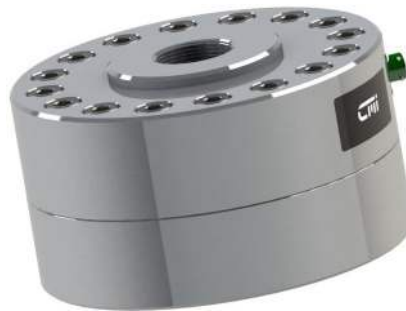
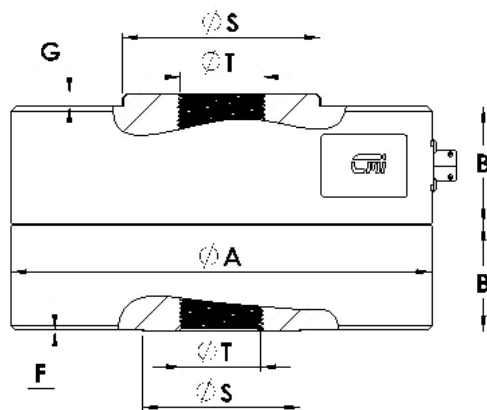
PRECISION, FATIGUE RESISTANT LOW PROFILE TENSION/ COMPRESSION
 1,000— 100,000 lbf (larger capacities available—consult CMI)



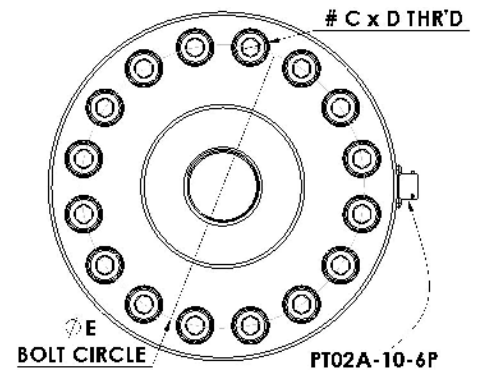
This version of our low profile load cells features more rigid construction for added resistance to the effects of eccentric loading and other extraneous forces. The SPLP is the precision version of our low profile (or spoke type) load cell, with an output of 2 mV/V at F.S.O. (full scale output) and greater resistance to fatigue.

Available in capacities ranging from 1,000 lbf to 100,000 lbf from stock, calibrated in compression as standard, with tension as an available option. Load buZons are available for compression, and bases for tension applications. These are a rugged and durable option for all applications, with IP67 ingress protection rating.

Higher capacity versions of this load cell are available (up to 600,000 lbf), please consult CMI.



SPLP w/ OPTIONAL TENSION BASE



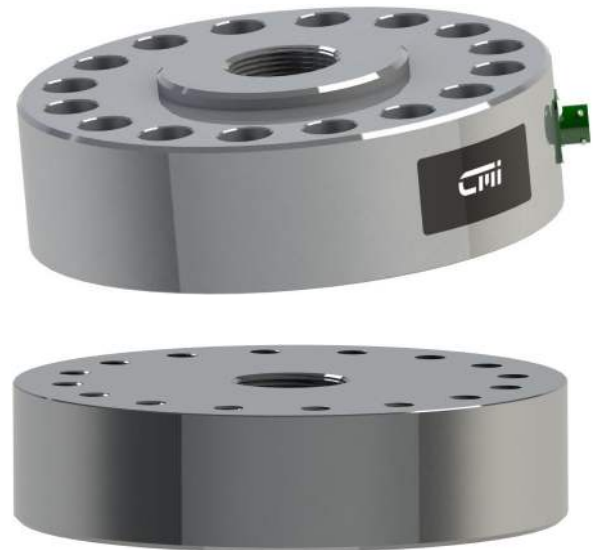
DIMENSIONS—INCHES										
PART NO.	CAPACITY	A	B	C	D	E	F	G	S	T
SPLP-1K-2-A6-SS	100	4.13"	2.78"	8	1/4-28 UNRF	3.50"	0.05"	0.13"	1.28"	5/8-18 UNF
SPLP-2K-2-A6-SS	250	4.13"	2.78"	8	1/4-28 UNRF	3.50"	0.05"	0.13"	1.28"	5/8-18 UNF
SPLP-3K-2-A6-SS	500	4.13"	2.78"	8	1/4-28 UNRF	3.50"	0.05"	0.13"	1.28"	5/8-18 UNF
SPLP-5K8-2-A6-SS	1,000	4.13"	2.78"	8	1/4-28 UNRF	3.50"	0.05"	0.13"	1.28"	5/8-18 UNF
SPLP-5K12-2-A6-SS	2,000	6.00"	4.26"	12	3/8-16 UNC	5.13"	0.05"	0.13"	2.50"	1-1/4-12 UNF
SPLP-10K-2-A6-SS	3,000	6.00"	4.26"	12	3/8-16 UNC	5.13"	0.05"	0.13"	2.50"	1-1/4-12 UNF
SPLP-20K-2-A6-SS	4,000	6.00"	4.26"	12	3/8-16 UNC	5.13"	0.05"	0.13"	2.50"	1-1/4-12 UNF
SPLP-50K-2-A6-SS	5,000	8.00"	3.14"	16	1/2-20 UNF	6.50"	0.05"	0.13"	3.14"	1-3/4-12 UNF
SPLP-100K-2-A6-SS	7,500	8.00"	2.50"	16	1/2-13 UNC	6.50"	0.05"	0.25"	3.76"	1-3/4-12 UNF

SPLH

LOW PROFILE TENSION/ COMPRESSION LOAD CELL 100 — 50,000 lbf

PERFORMANCE SPECIFICATIONS

OUTPUT (F.S.O.)	2.00 mV/V
SAFE OVERLOAD	150%
ULTIMATE OVERLOAD	200%
SUPPLY VOLTAGE	5– 18V DC
NON-LINEARITY	0.05% F.S.
HYSTERESIS	0.05% F.S.
NON-REPEATABILITY	0.05% F.S.
ZERO BALANCE	± 1.0% F.S.
COMPENSATED TEMPERATURE RANGE	-20—+70° C
OPERATING TEMP RANGE	-40 °C—+80 °C
PROTECTION CLASS	IP67
INPUT RESISTANCE	775 ± 15 Ω
OUTPUT RESISTANCE	702 ± 2 Ω
EXCITATION +	PIN A
EXCITATION -	PIN D
SIGNAL +	PIN B
SIGNAL -	PIN C



OPTIONAL TENSION BASE

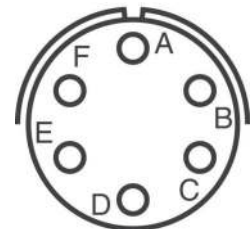


BLUETOOTH COMMS AVAILABLE—
FOR USE WITH CMI'S FORCEAPP FOR
ANDROID & IOS



OPTIONAL LOAD BUTTON

OPTIONS	
PART CODE ADDER	DESCRIPTION
-T (w/ TEDS)	TEDS CALIBRATION W/ DB9 CONNECTOR
-MA (w/ 4-20 Ma)	4-20 mA ANALOG OUTPUT (2 WIRE LOOP)
-5V (w/ 0-5V)	0-5V DC ANALOG OUTPUT
-232U	RS232 ASCII SERIAL COMMUNICATION OPTION (USB)
-232D	RS232 ASCII SERIAL COMMUNICATION OPTION (DB9)
-485	RS485 MODBUS COMMUNICATION OPTION (RJ45)
-BT	ADD BLUETOOTH OUTPUT (USE WITH FORCEAPP)



PT02A-10-6P PIN OUT

STC

S-TYPE TENSION/ COMPRESSION LOAD CELL 50 – 5,000 lbf

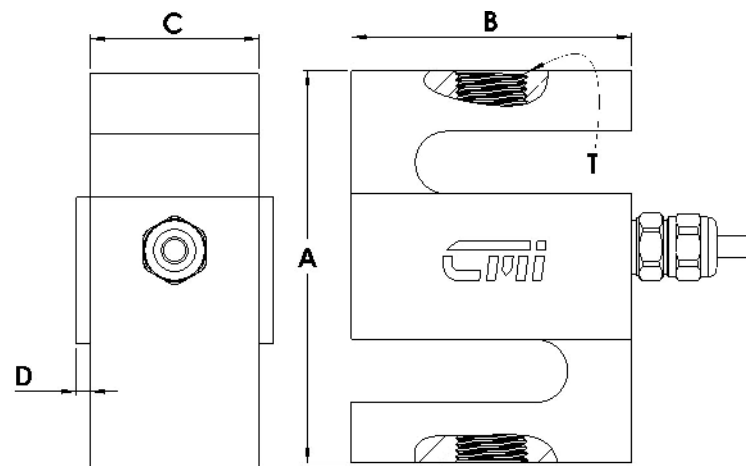
A precision, universal compression (standard calibration) and tension (optional calibration) S-type load cell for many different applications. Capacities available from stock range from 50 to 5,000 lbf. 50– 1,000 lbf are constructed from anodized aluminum and higher capacities from 17-4 PH stainless steel.

Well sealed to prevent for protection from industrial environments, these are a rugged choice. Standard electrical connection is a gland and cable arrangement (10 Ø, 4 conductor).



PERFORMANCE SPECIFICATIONS

OUTPUT (F.S.O.)	3.00 mV/V
SAFE OVERLOAD	150%
ULTIMATE OVERLOAD	200%
SUPPLY VOLTAGE	5– 18V DC
NON-LINEARITY	0.05% F.S.
HYSTERESIS	0.03% F.S.
NON-REPEATABILITY	0.02% F.S.
ZERO BALANCE	± 1.0% F.S.
COMPENSATED TEMPERATURE RANGE	-20—+70° C
OPERATING TEMP RANGE	-40 °C—+80 °C
PROTECTION CLASS	IP67
INPUT RESISTANCE	365± 15 Ω
OUTPUT RESISTANCE	350 ± 2 Ω
EXCITATION +	RED
EXCITATION -	BLACK
SIGNAL +	GREEN
SIGNAL -	WHITE



DIMENSIONS—INCHES

PART NO.	CAPACITY	A	B	C	D	T
STC-50-3-4-AL	50	2.50"	2.00"	0.50"	0.13"	3/8-24 UNF
STC-100-3-4-AL	100	2.50"	2.00"	0.50"	0.13"	3/8-24 UNF
STC-200-3-4-AL	200	2.50"	2.00"	0.50"	0.13"	3/8-24 UNF
STC-300-3-4-AL	300	2.50"	2.00"	0.50"	0.13"	3/8-24 UNF
STC-500-3-4-AL	500	3.00"	2.00"	1.00"	0.13"	1/2-20 UNF
STC-750-3-4-AL	750	3.00"	2.00"	1.00"	0.13"	1/2-20 UNF
STC-1K-3-4-AL	1,000	3.00"	2.00"	1.00"	0.13"	1/2-20 UNF
STC-2K-3-4-SS	2,000	3.00"	2.00"	1.00"	0.13"	1/2-20 UNF
STC-3.5K-3-4-SS	3,500	3.00"	2.00"	1.00"	0.13"	1/2-20 UNF
STC-5K-3-4-SS	5,000	3.50"	2.50"	1.50"	0.13"	5/8-18 UNF



BLUETOOTH COMMS AVAILABLE—
FOR USE WITH CMI'S FORCEAPP FOR
ANDROID & IOS

STCM

S-TYPE MEDIUM CAPACITY TENSION/ COMPRESSION LOAD CELL 1,000 – 50,000 lbf

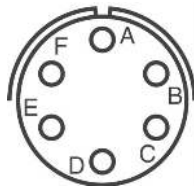


A compact, medium capacity universal compression (standard calibration) and tension (optional calibration) S-type load cell for many different applications. Capacities available from stock range from 1,000 to 50,000 lbf. 1,000–3,000 lbf are constructed from anodized aluminum and higher capacities from 17-4 PH stainless steel.

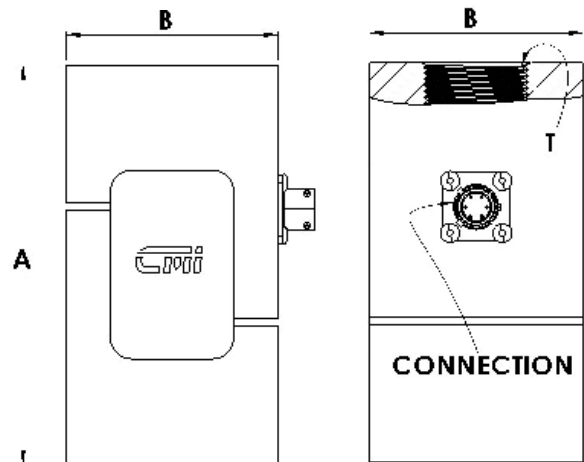
Well sealed to prevent for protection from industrial environments, these are a rugged choice. Standard electrical connection is a gland and cable arrangement (10 Ø, 4 conductor). These load cells can be utilized for inline tension force measurement or solidly mounted to a base for compression measurement. They are a robust load cell offering good rejection of extraneous forces (like side loading).

PERFORMANCE SPECIFICATIONS

OUTPUT (F.S.O.)	2.00 mV/V
SAFE OVERLOAD	150%
ULTIMATE OVERLOAD	200%
SUPPLY VOLTAGE	5–18V DC
NON-LINEARITY	0.10% F.S.
HYSTERESIS	0.10% F.S.
NON-REPEATABILITY	0.05% F.S.
ZERO BALANCE	± 1.0% F.S.
COMPENSATED TEMPERATURE RANGE	-20—+70° C
OPERATING TEMP RANGE	-40 °C—+80 °C
PROTECTION CLASS	IP67
INPUT RESISTANCE	365± 15 Ω
OUTPUT RESISTANCE	350 ± 2 Ω
EXCITATION +	RED/ PIN A
EXCITATION -	BLACK/ PIN D
SIGNAL +	GREEN/ PIN B
SIGNAL -	WHITE/ PIN C



20K-50K SIZES - USE 6 PIN BAYONET
#PT02A-10-6P PIN OUT



BLUETOOTH COMMS AVAILABLE—
FOR USE WITH CMI'S FORCEAPP FOR
ANDROID & iOS

DIMENSIONS—INCHES					
PART NO.	CAPACITY	A	B	CONNECTION	T
STCM-1K-2-4-AL	1,000	2.25"	1.23"	10 FT CBL—4 COND.	3/8-24 UNF
STCM-2K-2-4-AL	2,000	2.25"	1.23"	10 FT CBL—4 COND.	3/8-24 UNF
STCM-3K-2-6-AL	3,000	3.00"	1.48"	10 FT CBL—6 COND.	1/2-20 UNF
STCM-5K-2-6-SS	5,000	3.00"	1.43"	10 FT CBL—6 COND.	3/4-16 UNF
STCM-10K-2-6-SS	10,000	3.00"	1.93"	10 FT CBL—6 COND.	3/4-16 UNF
STCM-20K-2-A6-SS	20,000	3.85"	1.93"	PT02A-10-6P	1-14 UNS
STCM-30K-2-A6-SS	30,000	4.75"	2.93"	PT02A-10-6P	1-1/4-12 UNF
STCM-50K-2-A6-SS	50,000	5.50"	2.93"	PT02A-10-6P	1-1/2-12 UNF

ILDm

IN-LINE TENSION LOAD CELL MALE THREAD

5,000 — 50,000 lbf (larger capacities available on request)



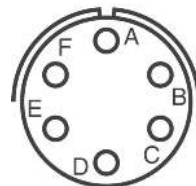
This tension only load cell male threaded studs each end is an economical choice for measuring in-line tension forces. Best paired with a rod end connection to prevent extraneous forces.

These load cells are available from stock with either a cable gland/ 10 Ø cable—or—with a 6 pin bayonet style connector (Amphenol PT02A-10-6P)

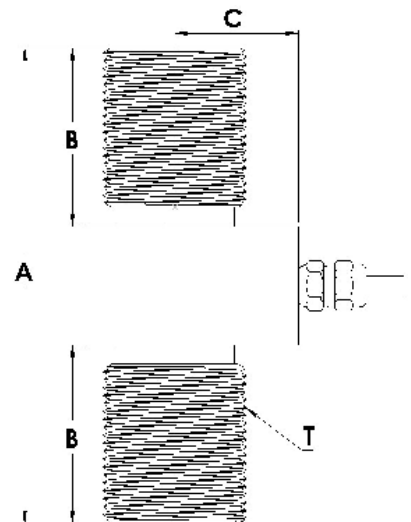
Available in capacities ranging from 5,000 lbf to 50,000 lbf from stock, we can offer up to 500,000 lbf—as a special order. These are a rugged and durable option for many applications, with IP67 ingress protection rating.

PERFORMANCE SPECIFICATIONS

OUTPUT (F.S.O.)	2.00 mV/V
SAFE OVERLOAD	150%
ULTIMATE OVERLOAD	300%
SUPPLY VOLTAGE	5– 18V DC
NON-LINEARITY	0.25% F.S.
HYSTERESIS	0.25% F.S.
NON-REPEATABILITY	0.1% F.S.
ZERO BALANCE	± 1.0% F.S.
COMPENSATED TEMPERATURE RANGE	-20—+70° C
OPERATING TEMP RANGE	-40 °C—+80 °C
PROTECTION CLASS	IP67
INPUT RESISTANCE	365 ± 15 Ω
OUTPUT RESISTANCE	350 ± 2 Ω
EXCITATION +	RED/ PIN A
EXCITATION -	BLACK/ PIN D
SIGNAL +	GREEN/ PIN B
SIGNAL -	WHITE/ PIN C



OPTIONAL 6 PIN BAYONET
#PT02A-10-6P PIN OUT



DIMENSIONS—INCHES					
PART NO.	CAPACITY	A	B	C	T
ILDm-5K-2-XX-SS	5,000	3.50"	1.13"	1.50"	3/4-16 UNF
ILDm-10K-2-XX-SS	10,000	3.50"	1.13"	1.50"	3/4-16 UNF
ILDm-20K-2-XX-SS	20,000	3.75"	1.25"	1.60"	1-14 UNS
ILDm-30K-2-XX-SS	30,000	4.25"	1.50"	1.70"	1-1/4-12 UNF
ILDm-50K-2-XX-SS	50,000	5.00"	1.88"	1.83"	1-1/4-12 UNF



BLUETOOTH COMMS AVAILABLE—
FOR USE WITH CMI'S FORCEAPP FOR
ANDROID & iOS

PART CODE ABOVE—STOCK OPTIONS BELOW:
SUBSTITUTE "6" FOR "XX" - FOR 10 FT CABLE CONNECTION
SUBSTITUTE "A6" FOR "XX" - FOR PT02A-10-6P—6 PIN BAYONET CONNECTOR

ILDF

IN-LINE TENSION LOAD CELL FEMALE THREAD 500 — 3,000 lbf



This tension only load cell female tapped threads on each end is an economical choice for measuring in-line tension forces. Best paired with a rod end connection to prevent extraneous forces.

These load cells are available from stock with either a cable gland & 10 Ø cable.

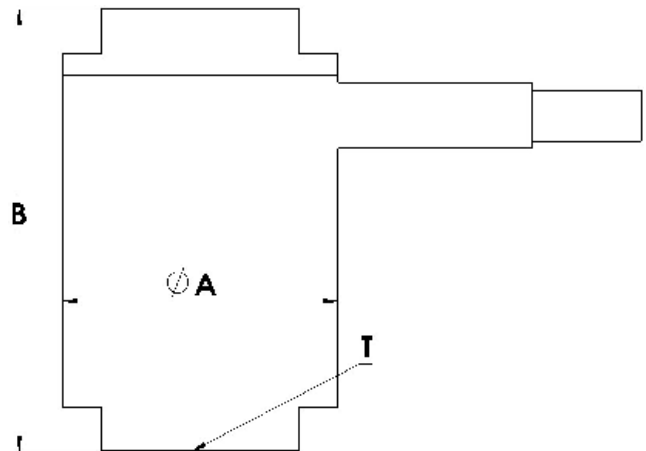
Available in capacities ranging from 500 lbf to 3,000 lbf from stock. These are a rugged and durable option for many applications, with IP67 ingress protection rating.

Spherical rod ends with a male thread are also available as an option for these from CMI.



PERFORMANCE SPECIFICATIONS

OUTPUT (F.S.O.)	2.00 mV/V
SAFE OVERLOAD	150%
ULTIMATE OVERLOAD	300%
SUPPLY VOLTAGE	5– 18V DC
NON-LINEARITY	0.25% F.S.
HYSTERESIS	0.25% F.S.
NON-REPEATABILITY	0.1% F.S.
ZERO BALANCE	± 1.0% F.S.
COMPENSATED TEMPERATURE RANGE	-20—+70° C
OPERATING TEMP RANGE	-40 °C—+80 °C
PROTECTION CLASS	IP67
INPUT RESISTANCE	365 ± 15 Ω
OUTPUT RESISTANCE	350 ± 2 Ω
EXCITATION +	RED
EXCITATION -	BLACK
SIGNAL +	GREEN
SIGNAL -	WHITE



BLUETOOTH COMMS AVAILABLE—
FOR USE WITH CMI'S FORCEAPP FOR
ANDROID & iOS

DIMENSIONS—INCHES				
PART NO.	CAPACITY	A	B	T
ILDF-500-2-4-AL	500	0.75"	1.50"	1/4-28 UNF
ILDF-1K-2-4-AL	1,000	0.88"	1.75"	3/8-24 UNF
ILDF-2K-2-4-AL	2,000	0.88"	1.75"	3/8-24 UNF
ILDF-3K-2-4-AL	3,000	1.25"	2.00"	1/2-20 UNF

LCCM

MINI COLUMN COMPRESSION LOAD CELL 2,000 – 30,000 lbf



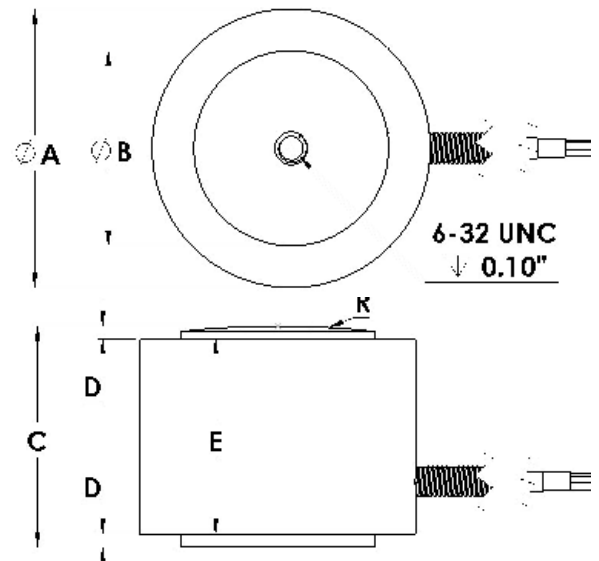
A miniature version of the column type load cell, this compression only sensor is designed to measure significant loads in a small footprint.

Made from 17-4 PH stainless steel and well sealed, they are a durable choice for all industrial environments.

These load cells are available from stock with 2,000– 30,000 lbf capacities. Electrical connection is a cable gland and 10 Ø 4 conductor cable. All LCCM load cells have a 6-32 UNC bottom tap for base mounting.

PERFORMANCE SPECIFICATIONS

OUTPUT (F.S.O.)	2.00 mV/V
SAFE OVERLOAD	150%
ULTIMATE OVERLOAD	250%
SUPPLY VOLTAGE	5– 15V DC
NON-LINEARITY	0.25% F.S.
HYSTERESIS	0.25% F.S.
NON-REPEATABILITY	0.1% F.S.
ZERO BALANCE	± 1.0% F.S.
COMPENSATED TEMPERATURE RANGE	-20—+70° C
OPERATING TEMP RANGE	-40 °C—+80 °C
PROTECTION CLASS	IP67
INPUT RESISTANCE	365 ± 15 Ω
OUTPUT RESISTANCE	350 ± 2 Ω
EXCITATION +	RED
EXCITATION -	BLACK
SIGNAL +	GREEN
SIGNAL -	WHITE



DIMENSIONS—INCHES

PART NO.	CAPACITY	A	B	C	D	E	R
LCCM-2K-2-4-SS	2,000	0.63"	0.45"	0.60"	0.06"	0.48"	2.00"
LCCM-3K-2-4-SS	3,000	0.63"	0.45"	0.60"	0.06"	0.48"	2.00"
LCCM-5K-2-4-SS	5,000	0.63"	0.45"	0.60"	0.06"	0.48"	2.00"
LCCM-7.5K-2-4-SS	7,500	0.88"	0.63"	0.63"	0.06"	0.51"	2.00"
LCCM-10K-2-4-SS	10,000	0.88"	0.63"	0.63"	0.06"	0.51"	2.00"
LCCM-15K-2-4-SS	15,000	1.25"	0.88"	1.00"	0.06"	0.88"	4.00"
LCCM-20K-2-4-SS	20,000	1.25"	0.88"	1.00"	0.06"	0.88"	4.00"
LCCM-30K-2-4-SS	30,000	1.25"	0.88"	1.00"	0.06"	0.88"	4.00"



BLUETOOTH COMMS AVAILABLE—
FOR USE WITH CMI's FORCEAPP FOR
ANDROID & iOS

LCC

COLUMN TYPE COMPRESSION LOAD CELL

50,000 – 400,000 lbf

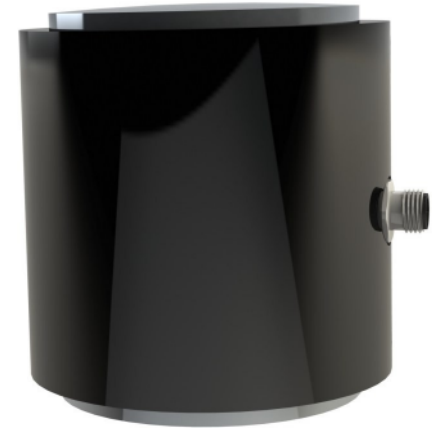


Our LCC column type load cell, this compression only sensor is designed to measure high capacities in a small footprint.

Made from 17-4 PH stainless steel and well sealed, they are a durable choice for all industrial environments.

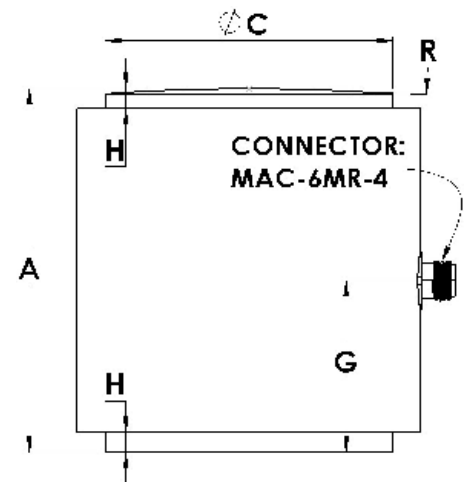
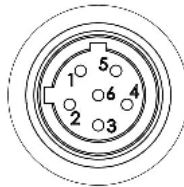
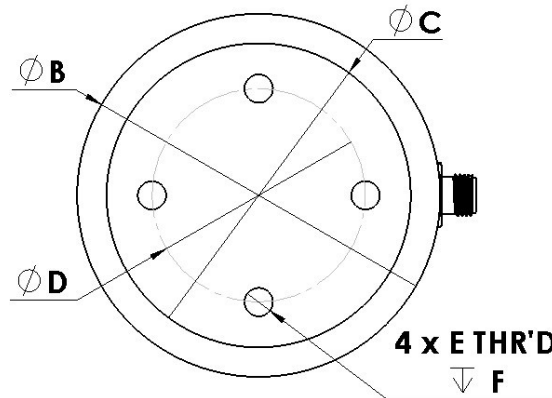
These load cells are available from stock with 50,000– 400,000 lbf capacities. All LCC load cells have bottom taps for base mounting. The top surface is slightly convex to focus the load force properly.

Electrical connection is a Mencom # MAC-6MR-4 connector. Cables with these connectors are also available from CMI.



PERFORMANCE SPECIFICATIONS

OUTPUT (F.S.O.)	2.00 mV/V
SAFE OVERLOAD	150%
ULTIMATE OVERLOAD	250%
SUPPLY VOLTAGE	5– 15V DC
NON-LINEARITY	0.25% F.S.
HYSTERESIS	0.25% F.S.
NON-REPEATABILITY	0.1% F.S.
ZERO BALANCE	± 1.0% F.S.
COMPENSATED TEMPERATURE RANGE	-10—+70° C
OPERATING TEMP RANGE	-40 °C—+80 °C
PROTECTION CLASS	IP67
INPUT RESISTANCE	385± 20 Ω
OUTPUT RESISTANCE	351 ± 2 Ω
EXCITATION +	PIN #2
EXCITATION -	PIN #5
SIGNAL +	PIN #3
SIGNAL -	PIN #1



DIMENSIONS—INCHES

PART NO.	CAPACITY	A	B	C	D	E	F	G	H	R
LCC-50K-2-M-SS	50,000	2.25"	2.75"	2.06"	1.50"	1/4-28 UNF	0.25"	1.00"	0.25"	20"
LCC-100K-2-M-SS	100,000	2.25"	2.75"	2.06"	1.50"	1/4-28 UNF	0.25"	1.00"	0.25"	20"
LCC-200K-2-M-SS	200,000	4.00"	3.50"	2.81"	2.00"	3/8-24 UNF	0.38"	1.88"	0.25"	24"
LCC-300K-2-M-SS	300,000	4.50"	4.25"	3.56"	2.50"	3/8-24 UNF	0.38"	2.22"	0.25"	24"
LCC-400K-2-M-SS	400,000	5.00"	4.50"	3.81"	2.50"	3/8-24 UNF	0.38"	2.38"	0.25"	24"



BLUETOOTH COMMS AVAILABLE—
FOR USE WITH CMI'S FORCEAPP FOR
ANDROID & iOS

TLW

LOAD WASHER TYPE COMPRESSION LOAD CELL 2,400 – 300,000 lbf

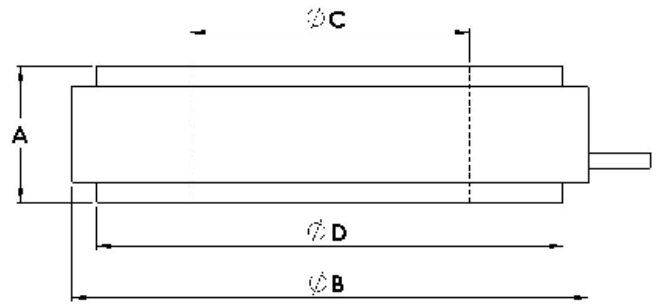
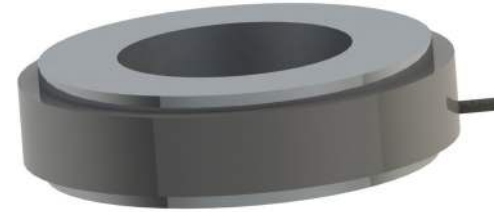


Our through hole TLW load washers offer a very wide range of capacities, from a low of 2,400 to a maximum of 300,000 lbf.

Made from 17-4 PH stainless steel and well sealed, they are a durable choice for all industrial environments.

Commonly used for measuring compressive forces from fasteners, they can be adapted to a multitude of other applications.

These are stocked with wire connections, and a wide range of cable connector options can be added prior to shipping.



PERFORMANCE SPECIFICATIONS

OUTPUT (F.S.O.)	2.00 mV/V
SAFE OVERLOAD	150%
ULTIMATE OVERLOAD	250%
SUPPLY VOLTAGE	5– 15V DC
NON-LINEARITY	2.0% F.S.
HYSTERESIS	2.0% F.S.
NON-REPEATABILITY	1.0% F.S.
ZERO BALANCE	± 1.0% F.S.
COMPENSATED TEMPERATURE RANGE	0—+70° C
OPERATING TEMP RANGE	-40 °C—+80 °C
PROTECTION CLASS	IP67
INPUT RESISTANCE	365± 15 Ω
OUTPUT RESISTANCE	350 ± 2 Ω
EXCITATION +	RED
EXCITATION -	BLACK
SIGNAL +	GREEN
SIGNAL -	WHITE



BLUETOOTH COMMS AVAILABLE—
FOR USE WITH CMI'S FORCEAPP FOR
ANDROID & iOS

DIMENSIONS—INCHES

PART NO.	CAPACITY	A	B	C	D
TLW-2.4K-2-4-SS	2,400	0.35"	0.85"	0.192"	0.345"
TLW-4K-2-4-SS	4,000	0.35"	0.85"	0.262"	0.06"
TLW-7K-2-4-SS	7,000	0.35"	0.85"	0.326"	0.06"
TLW-10K-2-4-SS	10,000	0.35"	0.85"	0.390"	0.06"
TLW-14K-2-4-SS	14,000	0.35"	1.00"	0.454"	0.06"
TLW-20K-2-4-SS	20,000	0.35"	1.00"	0.517"	0.06"
TLW-25K-2-4-SS	25,000	0.35"	1.25"	0.580"	0.06"
TLW-30K-2-4-SS	30,000	0.35"	1.25"	0.644"	0.06"
TLW-45K-2-4-SS	45,000	0.38"	1.50"	0.770"	
TLW-60K-2-4-SS	60,000	0.50"	1.75"	0.897"	
TLW-80K-2-4-SS	80,000	0.50"	2.00"	1.024"	
TLW-80K-118-2-4-SS	80,000	0.50"	2.00"	1.150"	
TLW-125K-2-4-SS	125,000	0.63"	2.37"	1.279"	
TLW-190K-2-4-SS	190,000	0.88"	3.00"	1.533"	
TLW-260K-2-4-SS	260,000	1.25"	3.50"	1.787"	
TLW-300K-2-4-SS	300,000	1.37"	3.75"	2.041"	

LBM

MINIATURE LOAD BUTTON TYPE COMPRESSION LOAD CELL 25 — 1,000 lbf



If your application is very limited for space, the LBM compression only miniature button type load cell may be the right choice. With diameter and height both less than one inch, they can fit into the tightest of applications.

The LBM ranges from 25 to 1,000 lbf.

Made from 17-4 PH stainless steel and well sealed, they are a durable choice for most industrial environments.

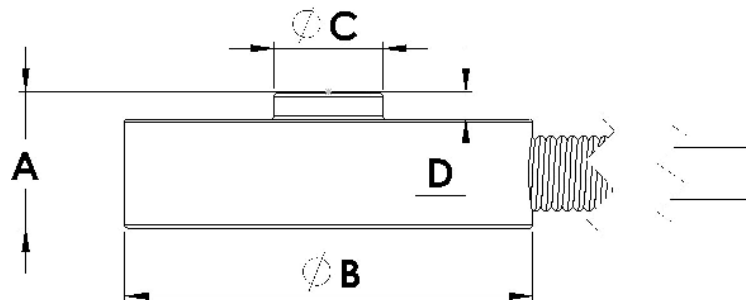
These are stocked with wire connections, and a wide range of cable connector options can be added prior to shipping.

PERFORMANCE SPECIFICATIONS

OUTPUT (F.S.O.)	2.00 mV/V
SAFE OVERLOAD	150%
ULTIMATE OVERLOAD	250%
SUPPLY VOLTAGE	5– 15V DC
NON-LINEARITY	0.5% F.S.
HYSTERESIS	0.5% F.S.
NON-REPEATABILITY	0.3% F.S.
ZERO BALANCE	± 2.0% F.S.
COMPENSATED TEMPERATURE RANGE	-20—+70° C
OPERATING TEMP RANGE	-40 °C—+80 °C
PROTECTION CLASS	IP67
INPUT RESISTANCE	365 ± 15 Ω
OUTPUT RESISTANCE	350 ± 2 Ω
EXCITATION +	RED
EXCITATION -	BLACK
SIGNAL +	GREEN
SIGNAL -	WHITE



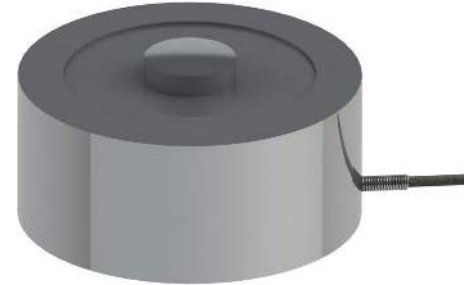
BLUETOOTH COMMS AVAILABLE—
FOR USE WITH CMI's FORCEAPP FOR
ANDROID & IOS



DIMENSIONS—INCHES					
PART NO.	CAPACITY	A	B	C	D
LBM-25-2-4-SS	25	0.25"	0.38"	0.09"	0.05"
LBM-50-2-4-SS	50	0.25"	0.38"	0.09"	0.05"
LBM-100-2-4-SS	100	0.25"	0.50"	0.13"	0.05"
LBM-250-2-4-SS	250	0.25"	0.50"	0.13"	0.05"
LBM-500-2-4-SS	500	0.25"	0.75"	0.20"	0.05"
LBM-750-2-4-SS	750	0.25"	0.75"	0.20"	0.05"
LBM-1K-2-4-SS	1,000	0.25"	0.75"	0.20"	0.05"

LBLP-TH

LOAD BUTTON TYPE COMPRESSION LOAD CELL 100 — 50,000 lbf



Our LBLP-TH button type compression load cells are another good choice for restricted space applications. This version of the button type load cells offers capacities ranging from 100 to 50,000 lbf.

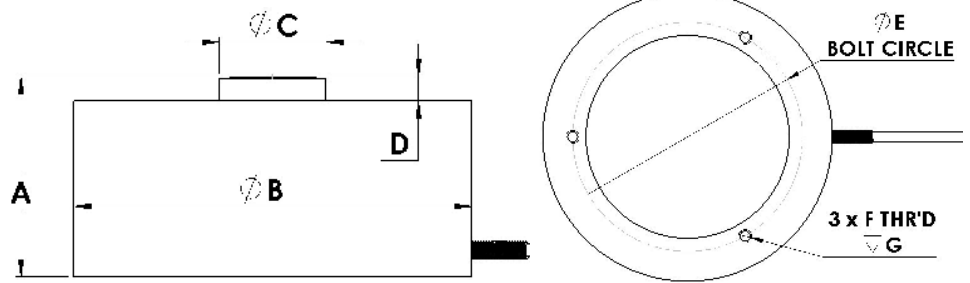
All LBLP-TH load cells include taps on the base for bottom mounting.

Made from 17-4 PH stainless steel and well sealed, they are a durable choice for most industrial environments.

These are stocked with wire connections, and a wide range of cable connector options can be added prior to shipping.

PERFORMANCE SPECIFICATIONS

OUTPUT (F.S.O.)	2.00 mV/V
SAFE OVERLOAD	150%
ULTIMATE OVERLOAD	250%
SUPPLY VOLTAGE	5– 15V DC
NON-LINEARITY	0.25% F.S.
HYSTERESIS	0.25% F.S.
NON-REPEATABILITY	0.1% F.S.
ZERO BALANCE	± 1.0% F.S.
COMPENSATED TEMPERATURE RANGE	-20—+70° C
OPERATING TEMP RANGE	-40° C—+80° C
PROTECTION CLASS	IP67
INPUT RESISTANCE	365± 15 Ω
OUTPUT RESISTANCE	350 ± 2 Ω
EXCITATION +	RED
EXCITATION -	BLACK
SIGNAL +	GREEN
SIGNAL -	WHITE



DIMENSIONS—INCHES

PART NO.	CAPACITY	A	B	C	D	E	F	G
LBLP-TH-100-75-2-4-SS	100	0.40"	1.00"	0.21"	0.05"	0.750"	4-40 UNC	0.22"
LBLP-TH-100-2-4-SS	100	0.40"	1.24"	0.32"	0.07"	1.000"	6-32 UNC	0.22"
LBLP-TH-250-2-4-SS	250	0.40"	1.24"	0.32"	0.07"	1.000"	6-32 UNC	0.25"
LBLP-TH-500-2-4-SS	500	0.40"	1.24"	0.32"	0.07"	1.000"	6-32 UNC	0.25"
LBLP-TH-750-2-4-SS	750	0.40"	1.24"	0.32"	0.07"	1.000"	6-32 UNC	0.25"
LBLP-TH-1K-2-4-SS	1,000	0.40"	1.24"	0.32"	0.07"	1.000"	6-32 UNC	0.25"
LBLP-TH-2K-2-4-SS	2,000	0.40"	1.24"	0.32"	0.07"	1.000"	6-32 UNC	0.25"
LBLP-TH-3K-2-4-SS	3,000	0.62"	1.49"	0.45"	0.08"	1.250"	6-32 UNC	0.25"
LBLP-TH-5K-2-4-SS	5,000	0.62"	1.49"	0.45"	0.08"	1.250"	6-32 UNC	0.25"
LBLP-TH-10K-2-4-SS	10,000	0.62"	1.49"	0.45"	0.08"	1.250"	6-32 UNC	0.25"
LBLP-TH-15K-2-4-SS	15,000	1.00"	1.99"	0.60"	0.12"	1.625"	6-32 UNC	0.25"
LBLP-TH-20K-2-4-SS	20,000	1.00"	1.99"	0.60"	0.12"	1.625"	6-32 UNC	0.25"
LBLP-TH-30K-2-4-SS	30,000	1.00"	1.99"	0.60"	0.12"	1.625"	6-32 UNC	0.25"
LBLP-TH-50K-2-4-SS	50,000	1.50"	2.99"	0.80"	0.18"	2.375"	6-32 UNC	0.25"



BLUETOOTH COMMS AVAILABLE—
FOR USE WITH CMI'S FORCEAPP FOR
ANDROID & iOS

LBLP-BH

LOAD BUTTON TYPE COMPRESSION LOAD CELL 100 — 50,000 lbf

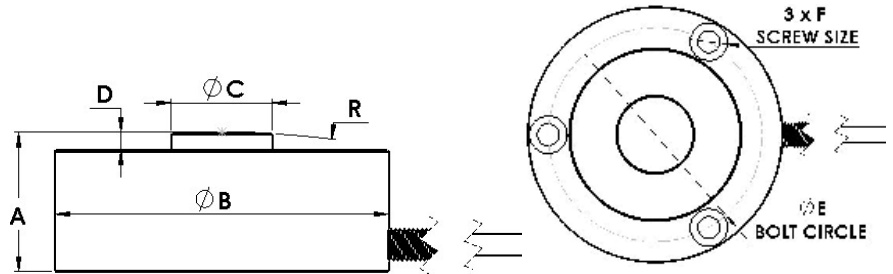


Our LBLP-BH button type compression load cells are another good choice for restricted space applications. This version of the button type load cells offers capacities ranging from 100 to 50,000 lbf.

All LBLP-BH load cells include through holes for bolts to secure it.

Made from 17-4 PH stainless steel and well sealed, they are a durable choice for most industrial environments.

These are stocked with wire connections, and a wide range of cable connector options can be added prior to shipping.



PERFORMANCE SPECIFICATIONS

OUTPUT (F.S.O.)	2.00 mV/V
SAFE OVERLOAD	150%
ULTIMATE OVERLOAD	250%
SUPPLY VOLTAGE	5– 15V DC
NON-LINEARITY	0.25% F.S.
HYSTERESIS	0.25% F.S.
NON-REPEATABILITY	0.1% F.S.
ZERO BALANCE	± 1.0% F.S.
COMPENSATED TEMPERATURE RANGE	-20—+70° C
OPERATING TEMP RANGE	-40 °C—+80 °C
PROTECTION CLASS	IP67
INPUT RESISTANCE	365± 15 Ω
OUTPUT RESISTANCE	350 ± 2 Ω
EXCITATION +	RED
EXCITATION -	BLACK
SIGNAL +	GREEN
SIGNAL -	WHITE



BLUETOOTH COMMS AVAILABLE—
FOR USE WITH CMI'S FORCEAPP FOR
ANDROID & IOS

DIMENSIONS—INCHES								
PART NO.	CAPACITY	A	B	C	D	E	F	R
LBLP-BH-100-75-2-4-SS	100	0.40"	1.00"	0.21"	0.05"	0.750"	#1	2.0"
LBLP-BH-100-2-4-SS	100	0.40"	1.24"	0.32"	0.07"	1.000"	#2	2.0"
LBLP-BH-250-2-4-SS	250	0.40"	1.24"	0.32"	0.07"	1.000"	#2	2.0"
LBLP-BH-500-2-4-SS	500	0.40"	1.24"	0.32"	0.07"	1.000"	#2	2.0"
LBLP-BH-750-2-4-SS	750	0.40"	1.24"	0.32"	0.07"	1.000"	#2	2.0"
LBLP-BH-1K-2-4-SS	1,000	0.40"	1.24"	0.32"	0.07"	1.000"	#2	2.0"
LBLP-BH-2K-2-4-SS	2,000	0.40"	1.24"	0.32"	0.07"	1.000"	#2	2.0"
LBLP-BH-3K-2-4-SS	3,000	0.62"	1.49"	0.45"	0.08"	1.250"	#4	4.0"
LBLP-BH-5K-2-4-SS	5,000	0.62"	1.49"	0.45"	0.08"	1.250"	#4	4.0"
LBLP-BH-10K-2-4-SS	10,000	0.62"	1.49"	0.45"	0.08"	1.250"	#4	4.0"
LBLP-BH-15K-2-4-SS	15,000	1.00"	1.99"	0.60"	0.12"	1.625"	#6	6.0"
LBLP-BH-20K-2-4-SS	20,000	1.00"	1.99"	0.60"	0.12"	1.625"	#6	6.0"
LBLP-BH-30K-2-4-SS	30,000	1.00"	1.99"	0.60"	0.12"	1.625"	#6	6.0"
LBLP-BH-50K-2-4-SS	50,000	1.50"	2.99"	0.80"	0.18"	2.375"	#6	6.0"

LBLP-8T

LOAD BUTTON TYPE COMPRESSION LOAD CELL 50 — 10,000 lbf



Our LBLP-8T button type compression load cells are another good choice for restricted space applications. This version of the button type load cells offers capacities ranging from 100 to 50,000 lbf.

All LBLP-TH load cells include 10-32 tapped holes on the base for securing.

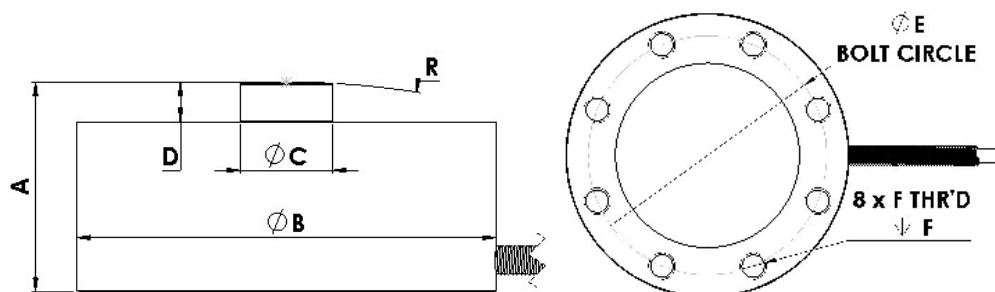
Made from 17-4 PH stainless steel and well sealed, they are a durable choice for most industrial environments.

These are stocked with wire connections, and a wide range of cable connector options can be added prior to shipping.



PERFORMANCE SPECIFICATIONS

OUTPUT (F.S.O.)	2.00 mV/V
SAFE OVERLOAD	150%
ULTIMATE OVERLOAD	250%
SUPPLY VOLTAGE	5– 15V DC
NON-LINEARITY	0.15% F.S.
HYSTERESIS	0.15% F.S.
NON-REPEATABILITY	0.1% F.S.
ZERO BALANCE	± 1.0% F.S.
COMPENSATED TEMPERATURE RANGE	-20—+70° C
OPERATING TEMP RANGE	-40 °C—+80 °C
PROTECTION CLASS	IP67
INPUT RESISTANCE	365± 15 Ω
OUTPUT RESISTANCE	350 ± 2 Ω
EXCITATION +	RED
EXCITATION -	BLACK
SIGNAL +	GREEN
SIGNAL -	WHITE



DIMENSIONS—INCHES								
PART NO.	CAPACITY	A	B	C	D	E	F	R
LBLT-8T-50-2-4-SS	50	1.00"	2.00"	0.44"	0.19"	1.687"	10-32 UNF	4.0"
LBLT-8T-100-2-4-SS	100	1.00"	2.00"	0.44"	0.19"	1.687"	10-32 UNF	4.0"
LBLT-8T-200-2-4-SS	200	1.00"	2.00"	0.44"	0.19"	1.687"	10-32 UNF	4.0"
LBLT-8T-500-2-4-SS	500	1.00"	2.00"	0.44"	0.19"	1.687"	10-32 UNF	4.0"
LBLT-8T-1K-2-4-SS	1,000	1.00"	2.00"	0.44"	0.19"	1.687"	10-32 UNF	4.0"
LBLT-8T-2K-2-4-SS	2,000	1.00"	2.00"	0.44"	0.19"	1.687"	10-32 UNF	4.0"
LBLT-8T-2.5K-2-4-SS	2,500	1.00"	2.00"	0.44"	0.19"	1.687"	10-32 UNF	4.0"
LBLT-8T-5K-2-4-SS	5,000	1.00"	2.00"	0.44"	0.19"	1.687"	10-32 UNF	4.0"
LBLT-8T-8K-2-4-SS	8,000	1.00"	2.00"	0.44"	0.19"	1.687"	10-32 UNF	4.0"
LBLT-8T-10K-2-4-SS	10,000	1.00"	2.00"	0.44"	0.19"	1.687"	10-32 UNF	4.0"



BLUETOOTH COMMS AVAILABLE—
FOR USE WITH CMI's FORCEAPP FOR
ANDROID & iOS

SMSS

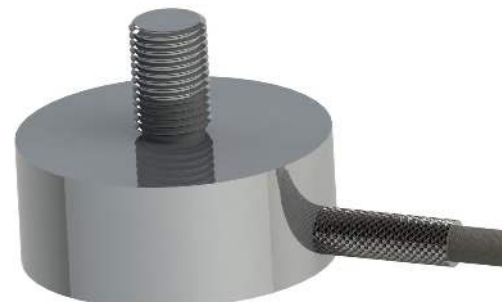
SURFACE MOUNT SINGLE STUD COMPRESSION/ TENSION LOAD CELL 100 – 10,000 lbf



Our SMSS surface mount single stud load cells offer compression calibration as standard, with tension calibration as an available option. The base of these load cells have 10-32 tapped holes for securing and a 1/2-20 threaded stud on top for connection to the force to be measured. This version of the surface mount stud connector type load cells offers capacities ranging from 100 to 10,000 lbf.

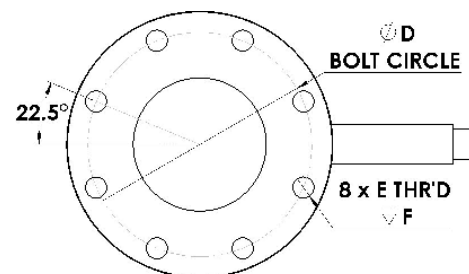
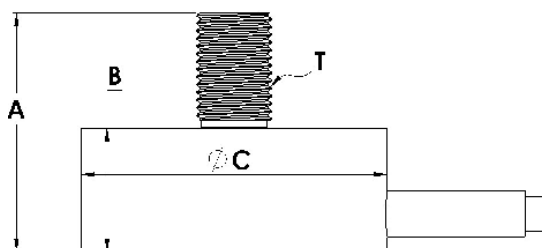
Made from 17-4 PH stainless steel and well sealed, they are a durable choice for most industrial environments.

These are stocked with wire connections, and a wide range of cable connector options can be added prior to shipping.



PERFORMANCE SPECIFICATIONS

OUTPUT (F.S.O.)	2.00 mV/V
SAFE OVERLOAD	150%
ULTIMATE OVERLOAD	200%
SUPPLY VOLTAGE	5– 15V DC
NON-LINEARITY	0.15% F.S.
HYSTERESIS	0.15% F.S.
NON-REPEATABILITY	0.05% F.S.
ZERO BALANCE	± 1.0% F.S.
COMPENSATED TEMPERATURE RANGE	-40—+70 °C
OPERATING TEMP RANGE	-40 °C—+80 °C
PROTECTION CLASS	IP67
INPUT RESISTANCE	385± 10 Ω
OUTPUT RESISTANCE	350 ± 2 Ω
EXCITATION +	RED
EXCITATION -	BLACK
SIGNAL +	GREEN
SIGNAL -	WHITE



DIMENSIONS—INCHES

PART NO.	CAPACITY	A	B	C	D	E	F	T
SMSS-100-2-4-SS	100	1.56"	0.81"	2.00"	1.687"	10-32 UNF	0.25"	1/2-20 UNF
SMSS-200-2-4-SS	200	1.56"	0.81"	2.00"	1.687"	10-32 UNF	0.25"	1/2-20 UNF
SMSS-500-2-4-SS	500	1.56"	0.81"	2.00"	1.687"	10-32 UNF	0.25"	1/2-20 UNF
SMSS-1K-2-4-SS	1,000	1.56"	0.81"	2.00"	1.687"	10-32 UNF	0.25"	1/2-20 UNF
SMSS-2K-2-4-SS	2,000	1.56"	0.81"	2.00"	1.687"	10-32 UNF	0.25"	1/2-20 UNF
SMSS-2.5K-2-4-SS	2,500	1.56"	0.81"	2.00"	1.687"	10-32 UNF	0.25"	1/2-20 UNF
SMSS-5K-2-4-SS	5,000	1.56"	0.81"	2.00"	1.687"	10-32 UNF	0.25"	1/2-20 UNF
SMSS-8K-2-4-SS	8,000	1.56"	0.81"	2.00"	1.687"	10-32 UNF	0.25"	1/2-20 UNF
SMSS-10K-2-4-SS	10,000	1.56"	0.81"	2.00"	1.687"	10-32 UNF	0.25"	1/2-20 UNF



BLUETOOTH COMMS AVAILABLE—
FOR USE WITH CMI's FORCEAPP FOR
ANDROID & iOS

SMDS

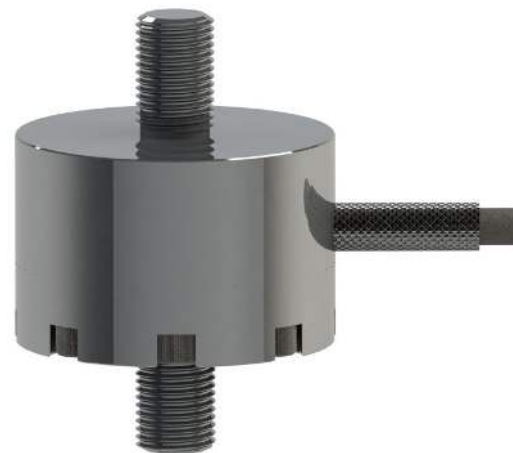
SURFACE MOUNT SINGLE STUD COMPRESSION/ TENSION LOAD CELL 100 – 10,000 lbf



Our SMDS surface mount dual stud load cells offer compression calibration as standard, with tension calibration as an available option. Both the base and top side of these load cells have a 1/2-20 threaded stud for connection. This version of the stud mount load cells offers capacities ranging from 100 to 10,000 lbf.

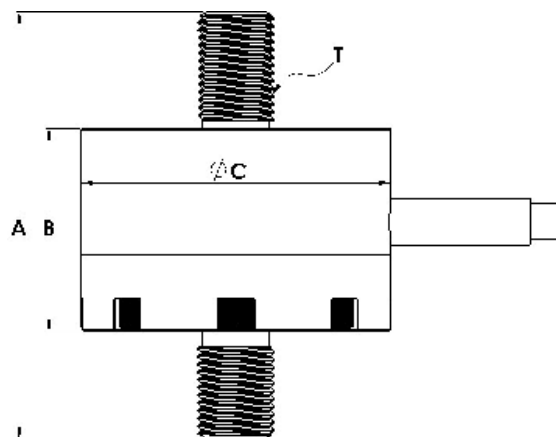
Made from 17-4 PH stainless steel and well sealed, they are a durable choice for most industrial environments.

These are stocked with wire connections, and a wide range of cable connector options can be added prior to shipping.



PERFORMANCE SPECIFICATIONS

OUTPUT (F.S.O.)	2.00 mV/V
SAFE OVERLOAD	150%
ULTIMATE OVERLOAD	250%
SUPPLY VOLTAGE	5– 15V DC
NON-LINEARITY	0.15% F.S.
HYSTERESIS	0.15% F.S.
NON-REPEATABILITY	0.05% F.S.
ZERO BALANCE	± 1.0% F.S.
COMPENSATED TEMPERATURE RANGE	-40—+70° C
OPERATING TEMP RANGE	-40 °C—+80 °C
PROTECTION CLASS	IP67
INPUT RESISTANCE	385± 10 Ω
OUTPUT RESISTANCE	350 ± 2 Ω
EXCITATION +	RED
EXCITATION -	BLACK
SIGNAL +	GREEN
SIGNAL -	WHITE



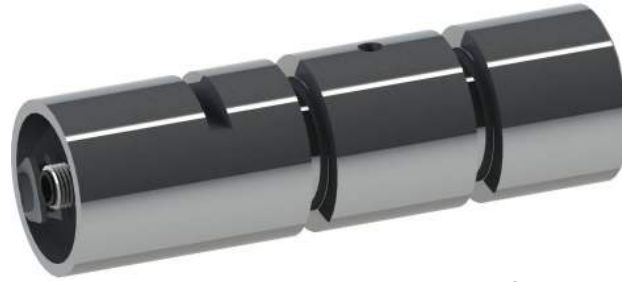
DIMENSIONS—INCHES								
PART NO.	CAPACITY	A	B	C	D	E	F	T
SMDS-100-2-4-SS	100	1.56"	0.81"	2.00"	1.687"	10-32 UNF	0.25"	1/2-20 UNF
SMDS-200-2-4-SS	200	1.56"	0.81"	2.00"	1.687"	10-32 UNF	0.25"	1/2-20 UNF
SMDS-500-2-4-SS	500	1.56"	0.81"	2.00"	1.687"	10-32 UNF	0.25"	1/2-20 UNF
SMDS-1K-2-4-SS	1,000	1.56"	0.81"	2.00"	1.687"	10-32 UNF	0.25"	1/2-20 UNF
SMDS-2K-2-4-SS	2,000	1.56"	0.81"	2.00"	1.687"	10-32 UNF	0.25"	1/2-20 UNF
SMDS-2.5K-2-4-SS	2,500	1.56"	0.81"	2.00"	1.687"	10-32 UNF	0.25"	1/2-20 UNF
SMDS-5K-2-4-SS	5,000	1.56"	0.81"	2.00"	1.687"	10-32 UNF	0.25"	1/2-20 UNF
SMDS-8K-2-4-SS	8,000	1.56"	0.81"	2.00"	1.687"	10-32 UNF	0.25"	1/2-20 UNF
SMDS-10K-2-4-SS	10,000	1.56"	0.81"	2.00"	1.687"	10-32 UNF	0.25"	1/2-20 UNF



BLUETOOTH COMMS AVAILABLE—
FOR USE WITH CMI'S FORCEAPP FOR
ANDROID & IOS

LPC LOAD PIN

LOAD PIN—SHEAR FORCE
6,000 lbf—200,000 lbf



Our LPC load pins can be used where bolts or other pins would suspend a load. These shear force measuring load cells are offered in capacities ranging from 6,000 to 200,000 lbf.

Made from 17-4 PH stainless steel and sealed to IP67 rating, they are a durable choice for most industrial environments.

These are stocked with a 6 pin bayonet type connector (Mencom # MAC-6MR-4/ Brad Harrison # 7R6A06A19A1201) and CMI also offers cables in several length options. Adaptation to other cable connectors can also be offered with a short delivery.

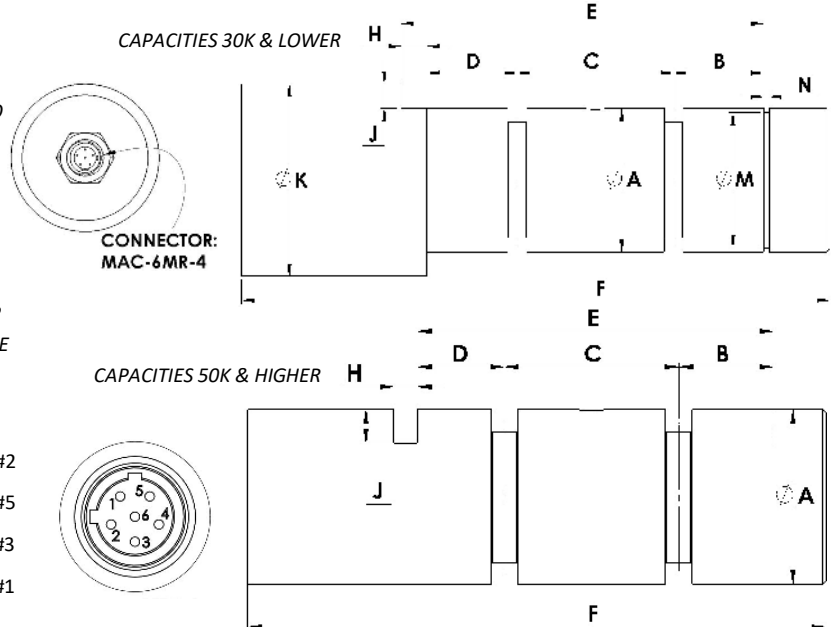
PERFORMANCE SPECIFICATIONS

OUTPUT (F.S.O.)	2.00 mV/V
SAFE OVERLOAD	150%
ULTIMATE OVERLOAD	300%
SUPPLY VOLTAGE	5–15V DC
NON-LINEARITY	0.50% F.S.
HYSTERESIS	0.50% F.S.
NON-REPEATABILITY	0.15% F.S.
ZERO BALANCE	± 1.0% F.S.
COMPENSATED TEMPERATURE RANGE	-10—+70° C
OPERATING TEMP RANGE	-40 °C—+80 °C
PROTECTION CLASS	IP67
INPUT RESISTANCE	350± 15 Ω
OUTPUT RESISTANCE	350 ± 2 Ω

DIMENSIONS H & J ARE FOR KEEPER PLATES—TO ENSURE LOAD PIN IS PROPERLY POSITIONED/INDEXED TO LOAD APPLIED.

LOAD PINS 30K & LOWER—REQUIRE SNAP RING TO RETAIN IN PLACE

EXCITATION + PIN #2
EXCITATION - PIN #5
SIGNAL + PIN #3
SIGNAL - PIN #1



DIMENSIONS—INCHES

PART NO.	CAPACITY	A	B	C	D	E	F	H	J	K	M	N
LPC-6K-2-M-SS	6,000	0.75"	0.59"	1.00"	0.59"	2.18"	4.50"	0.200"	0.25"	2.00"	0.704"	0.046"
LPC-12.5K-2-M-SS	12,500	1.00"	0.63"	1.00"	0.63"	2.26"	4.75"	0.200"	0.25"	2.00"	0.940"	0.046"
LPC-18K-2-M-SS	18,000	1.25"	0.81"	1.38"	0.81"	3.00"	5.63"	0.270"	0.25"	2.00"	1.176"	0.056"
LPC-30K-2-M-SS	30,000	1.50"	0.94"	1.63"	0.94"	3.51"	6.13"	0.270"	0.25"	2.00"	1.406"	0.056"
LPC-50K-2-M-SS	50,000	2.00"	1.00"	2.00"	1.00"	4.00"	6.63"	0.266"	0.38"	N/A	N/A	N/A
LPC-75K-2-M-SS	75,000	2.50"	1.25"	2.50"	1.25"	5.00"	7.63"	0.266"	0.50"	N/A	N/A	N/A
LPC-100K-2-M-SS	100,000	2.75"	1.47"	2.69"	1.47"	5.63"	8.38"	0.406"	0.50"	N/A	N/A	N/A
LPC-125K-2-M-SS	125,000	3.00"	1.44"	3.00"	1.44"	5.88"	8.75"	0.406"	0.63"	N/A	N/A	N/A
LPC-160K-2-M-SS	160,000	3.50"	1.75"	3.50"	1.75"	7.00"	10.00"	0.531"	0.63"	N/A	N/A	N/A
LPC-200K-2-M-SS	200,000	4.00"	2.25"	4.00"	2.25"	8.50"	11.75"	0.531"	0.75"	N/A	N/A	N/A

EN-IL

IN-LINE ENCLOSURE—AMPLIFIER/ SIGNAL CONVERSION

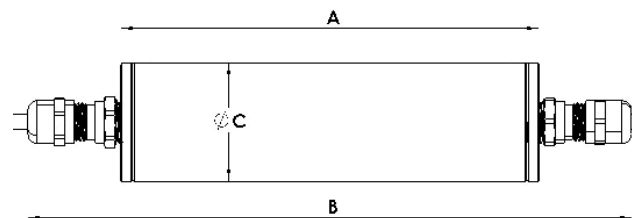


Convert signal type on any CMI load cell with this in-line option.

Choices include; Analog (4-20 Ma, 0-5V DC or 0-10 VDC); Digital (RS232 ASCII or RS485 ModBus RTU) and wireless (BlueTooth—use with CMI’s ForceApp).

These are a rugged and durable option for many applications, with IP67 ingress protection rating.

Different cable connections are offered—DB9 (RS232 ASCII or RS485 ModBus RTU); RJ45 (RS485 ModBus RTU); USB Male Type A (RS232 ASCII). Other connectors are available—please consult with CMI sales staff.



OUTPUT SIGNAL OPTIONS	
PART CODE ADDER	DESCRIPTION
-T (w/ TEDS)	TEDS CALIBRATION W/ DB9 CONNECTOR
-MA (w/ 4-20 Ma)	4-20 mA ANALOG OUTPUT (2 WIRE LOOP)
-5V (w/ 0-5V)	0-5V DC ANALOG OUTPUT
-232U	RS232 ASCII SERIAL COMMUNICATION OPTION (USB)
-232D	RS232 ASCII SERIAL COMMUNICATION OPTION (DB9)
-485R	RS485 MODBUS COMMUNICATION OPTION (RJ45)
-485D	RS485 MODBUS COMMUNICATION OPTION (DB9)
-BT	ADD BLUETOOTH OUTPUT (USE WITH FORCEAPP)

DIMENSIONS—INCHES				
PART NO.	CAPACITY	A	B	C
LBLT-8T-50-2-4-SS	50	1.00"	2.00"	0.44"
LBLT-8T-100-2-4-SS	100	1.00"	2.00"	0.44"
LBLT-8T-200-2-4-SS	200	1.00"	2.00"	0.44"
LBLT-8T-500-2-4-SS	500	1.00"	2.00"	0.44"
LBLT-8T-1K-2-4-SS	1,000	1.00"	2.00"	0.44"
LBLT-8T-2K-2-4-SS	2,000	1.00"	2.00"	0.44"
LBLT-8T-2.5K-2-4-SS	2,500	1.00"	2.00"	0.44"
LBLT-8T-5K-2-4-SS	5,000	1.00"	2.00"	0.44"
LBLT-8T-8K-2-4-SS	8,000	1.00"	2.00"	0.44"
LBLT-8T-10K-2-4-SS	10,000	1.00"	2.00"	0.44"



BLUETOOTH COMMS AVAILABLE—
FOR USE WITH CMI’S FORCEAPP FOR
ANDROID & iOS

HHMC

HAND HELD DISPLAY/ LOAD CELL INDICATOR



Hand-held display for load cells/ force transducers offering up to 6 calibration ranges. Multi-point calibration with TEDs enabled.

High resolution ADC with sensitivity between ± 7.5 mV/V and ± 480 mV/V

128 x 64 dpi display with backlight.

USB Type B male connection for configuration, calibration, save & restore and live logging.

Connect HHMC with a PC to datalog (PC must query HHMC for a response, CMI DAQ software does this automatically).

Uses 2X AA alkaline batteries

Options; mounting connector (*Binder # 770**)



PERFORMANCE SPECIFICATIONS

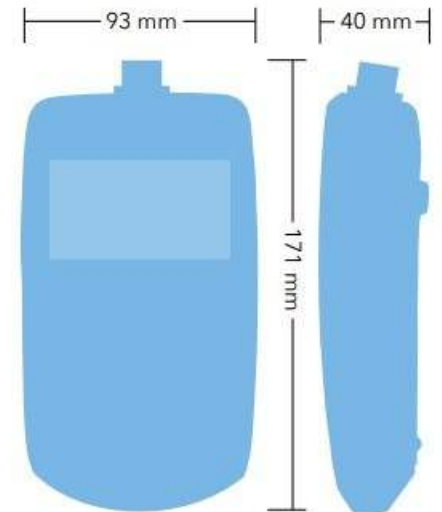
BRIDGE CONNECTION	4 or 6 Wire (optional Sense)
EXCITATION VOLTAGE	3.2—3.4 VDC
DRIVE CAPABILITY	85—10,000 Ω
SENSITIVITY	± 7.5 — ± 480 mV/V
SAMPLING FREQUENCY	2,400 Hz
LINEARITY	± 2 ppm/FSR
OFFSET TEMP STABILITY	12 Nv/°C
GAIN TEMP STABILITY	1—2 ppm/°C
RESOLUTION	24 bit
DISPLAY	128 x 64 PIXELS
POWER SUPPLY	2x AA ALKALINE (or USB)
PROTECTION CLASS	IP64
BATTERY LIFE 1 Hz	220 Hrs
BATTERY LIFE 1,200 Hz	60 Hrs
OPERATING TEMP RANGE	-10—+50 °C
STORAGE TEMP RANGE	-20—+80 °C
WEIGHT	365 g

*Binder connectors:

2.5—4.0mm field cable diameter—Binder # 99 0771 000 08

4.0—6.0mm field cable diameter—Binder # 99 0771 001 08

6.0—8.0mm field cable diameter—Binder # 99 0771 002 08



LCI-A

BENCH TOP LOAD CELL DISPLAY/ INDICATOR



Economical, general purpose bench top display for load cells/ force transducers offering up to 6 calibration ranges. Durable stainless steel enclosure with rear mount points.

High speed, 24 bit analog to digital convertor.

Easy to read, 0.8" high LED numerals.

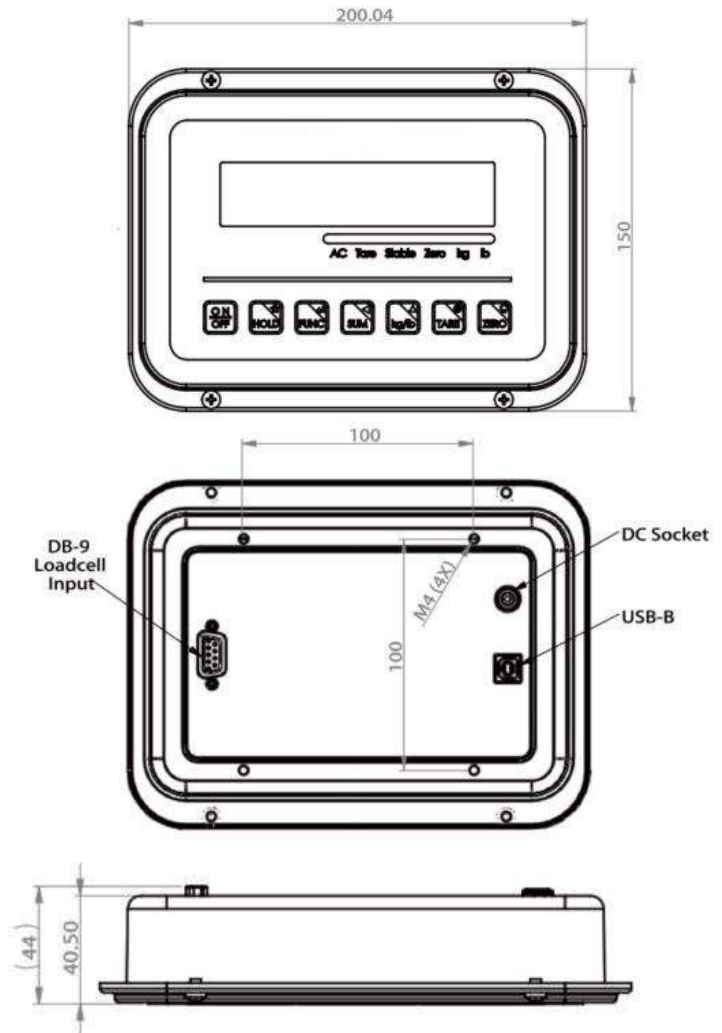
USB Type B male connection with serial, RS232 ASCII output for connection to printer or PC for live logging. The LCI-A can be configured for continuous transmission for logging to a PC, or by a prompt to trigger a printer.

Powered by 110V AC (adaptor provided).



PERFORMANCE SPECIFICATIONS

BRIDGE CONNECTION	DB9
EXCITATION VOLTAGE	+5 VDC (4 or 6 WIRE)
RESOLUTION	10,000 COUNTS
SENSITIVITY RANGE	± 4.5 mV/V max.
SAMPLING FREQUENCY	40 Hz
LINEARITY	0.01% FSR
OPERATING TEMP	-10 °C— +40 °C
STORAGE TEMP	-10 °C— +70 °C
DISPLAY	6 DIGIT, 7 SEGMENT, LED, 0.8" H
POWER SUPPLY	110V AC
SERIAL COMMUNICATION	RS232 ASCII USB TYPE B FEMALE
NUMBER OF CELLS	8 EA, 350 Ω LOAD CELLS max.
COUNT BY/ ROUNDING	X1, x2, x4, x10, x20, x50
OPERATING TEMP RANGE	-10—+50 °C
STORAGE TEMP RANGE	-20—+80 °C





CONCEPT MEASUREMENT INC.

#104, 298 Burnt Park Way
Red Deer County, AB
T4S 0K7

Ph (403) 340-3466

